



# Elektromotory - převodovky s.r.o.

## ZF-T

### Series Attached Adjustable Vibrator Motor



ZF-DC



ZF-V



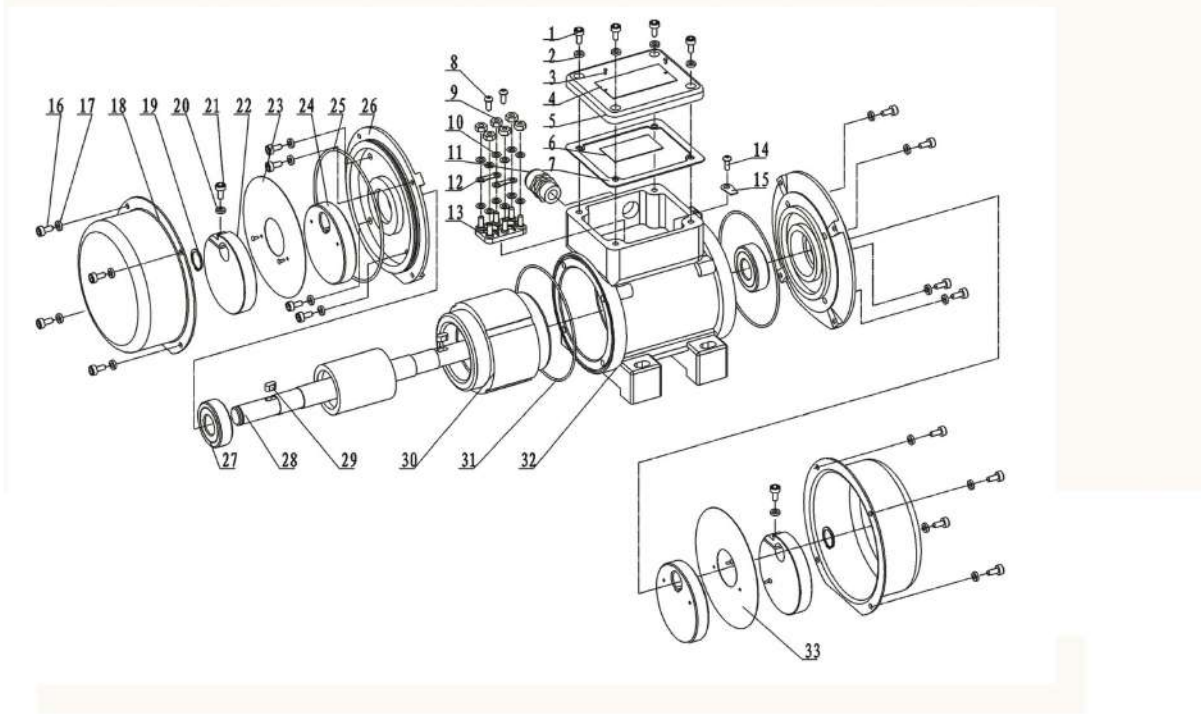
## ZF-T

### Series Vibrator Motors Technical Parameters

Model	Vibrating force		Max. Input power (W)	Max. Current (A)	Weight (KG)	Pedestal Model	Packing Size (mm)
	Kn	Kg-f					
ZF-T2/60	0.7	71	80	0.15	4.0\5.8	00AL\01AL	280X170X200
ZF-T2/100	1.0	102	160	0.30	5.5\6.0	00AL\01AL	280X170X200
ZF-T2/200	1.96	200	170	0.32	7	01AL	280X170X200
ZF-T2/300	2.98	300	320	0.58	16.5\11	02\02AL	325X220X230
ZF-T2/500	4.95	505	440	0.8	20	03	395X240X250
ZF-T2/800	7.94	810	550	1.0	25.2	03	395X240X250
ZF-T2/1300	12.8	1306	1100	2.0	39	04	490X270X280
ZF-T2/1500	14.9	1520	1200	2.15	40	04	490X270X280
ZF-T2/1800	18.0	1837	1700	3.2	45	04	490X270X280
ZF-T2/2300	22.6	2310	2200	4.0	48.5	04	490X270X280
ZF-T2/3200	32	3250	3500	6.5	98	05	590X270X300
ZF-T2/4000	40	4030	4000	7.0	100	05	590X270X300
ZF-T2/5000	50	5070	5000	7.8	112	05	590X270X300
ZF-T4/40	0.44	45	40	0.1	6\6.8	00AL\01AL	280X170X200
ZF-T4/80	0.78	80	94	0.24	7.1	01AL	280X170X200
ZF-T4/200	1.96	200	200	0.40	16.8\12	02\02AL	325X220X230
ZF-T4/400	4.0	410	360	0.65	22	03	395X240X250
ZF-T4/500	5.0	510	390	0.70	26	03	395X240X250
ZF-T4/700	6.95	710	550	0.98	28	03	395X240X250
ZF-T4/1400	13.9	1420	850	1.5	42	04	490X270X280
ZF-T4/1700	16.9	1730	1100	2.0	46	04	490X270X280
ZF-T4/2400	23.9	2440	1700	3.0	50	04	490X270X280
ZF-T4/3000	30	3060	2200	4.0	102	05	590X270X300
ZF-T4/3800	38	3830	2500	5.0	118	05	590X270X300
ZF-T2/60D	0.61	62	86	0.43	5.5\6	00AL\01AL	280X170X200
ZF-T2/100D	0.98	100	120	0.58	5.8\6.4	00AL\01AL	280X170X200
ZF-T2/200D	1.96	200	150	0.71	8.5	01AL	280X170X200
ZF-T2/300D	3.05	311	253	1.2	17.5\11.5	02\02AL	325X220X230
ZF-T2/500D	4.9	500	475	2.25	21	03	395X240X250
ZF-T2/800D	7.84	800	686	3.25	26	03	395X240X250
ZF-V4/300D	2.98	300	280	1.3	9.8	V30	
ZF-DC1500	1.5	1530	DC 12V	60	17	DC40	

## ZF - T

### Series Vibrator Motors Overall And Installation Dimension



Pedestal Model	A	B	C	D	E	φG	F	H	I	L	M	N
00AL	180	115	110	52-60	90	9	9	50	40	103	80	85
01AL	232	147	130	62-74	106	9	30	62	46	120	98	137
02AL	260	175	155	90	125	13	20	75	63	140	145	158
02ALL	260	175	155	131	120	13	20	75	63	140	145	158
02	288	200	168	105	140	13	15	90	52	163	140	185
03	294/358	210	198	120	170	15	17	100	57	183	150	208
03AL	294/358	210	198	146	180	15	17	100	57	183	150	208
04	344/424	240	263	140	190	15	30	137	82	213	200	238
05	468/582	293	290	155	225	20	38	160	115	235	250	267

