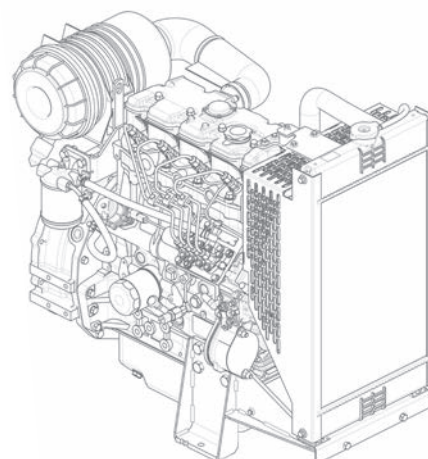


400 Series 404A-22G1 ElectropaK

20.3 kWm @ 1500 rpm

The Perkins® 400 Series engine family continues to set new standards in the compact engine market. Developed alongside customers to fulfill their needs in the generator set, compressor, agricultural and general industrial markets.

These new ElectropaKs provide compact power, from a robust family of 3 and 4 cylinder diesel engines designed to provide economic and durable operation at prime and standby duties, hitting the key power nodes required by the power generation industry.



Powered by your needs

- The 404A-22G1 ElectropaK is a powerful but quiet 2.2 litre naturally aspirated 4-cylinder compact package

Compact, clean, efficient power

- Design features on the 400D range of ElectropaKs ensures clean rapid starting in all conditions whilst delivering impressive performance with low operating costs in a small, efficient package size

Lower operating costs

- Approved for operation on biodiesel* concentrations of up to 20%
- Oil and filter changes are 500 hours, dependent on load factor
- Engine durability and reliability, the warranty offering and ease of installation combine to drive down the cost of ownership

Product support

- With highly trained Perkins distributors in thousands of communities in over 180 countries, you are never far away from expert product knowledge, genuine parts and a range of advanced diagnostic technology for keeping your engine in peak condition

Warranties and Service Contracts

We provide one-year warranties for constant speed engines and two-year warranties for variable speed models, as standard. These are supported by multilevel Extended Service Contracts that can be bought additionally

[Discover more](#)

www.perkins.com

www.perkins.com/esc

www.perkins.com/distributor

[To find your local distributor](#)

Engine speed	Type of Operation	Typical Generator Output (Net)		Engine Power				Low Idle
				Gross		Net		
		kVA	kWe	kWm	hp	kWm	hp	
1500	Prime power	20.3	16.2	18.7	25.1	18.4	24.7	n/a
	Standby power	22.3	17.8	20.6	27.6	20.3	27.2	n/a

*Subject to conformance with ASTM D6751 and EN14214.

The above ratings represent the engine performance capabilities to conditions specified in ISO 8528/1, ISO 3046/1:1986, BS 5514/1. Derating may be required for conditions outside these; consult Perkins Engines Company Limited. Generator powers are typical and are based on typical alternator efficiencies and a power factor (cos ϕ) of 0.8.

Fuel specification: BS 2869: Part 2 1998 Class A2 or ASTM D975 D2.

Rating Definitions: **Prime Power:** Power available at variable load in lieu of a main power network. Overload of 10% is permitted for 1 hour in every 12 hours operation. **Standby (maximum):** Power available at variable load in the event of a main power network failure. No overload is permitted.

Photographs are for illustrative purposes only and may not reflect final specification.

All information in this document is substantially correct at time of printing and may be altered subsequently.

Publication No.PN2002/06/12 Produced in England ©2012 Perkins Engines Company Limited

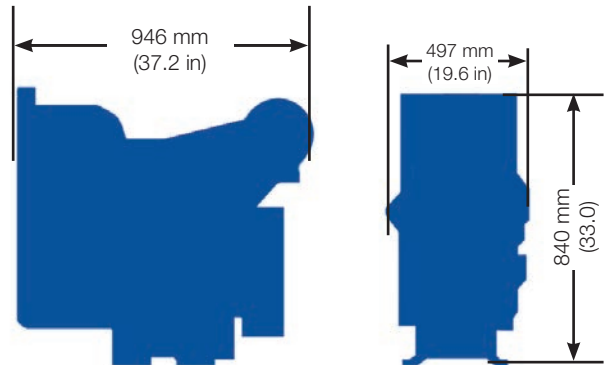
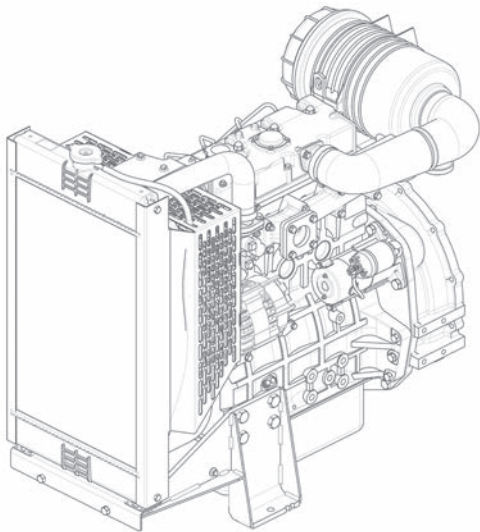
 **Perkins®**

THE HEART OF EVERY GREAT MACHINE

400 Series 404A-22G1

Electropak

20.3 kWm @ 1500 rpm



Standard electropak specification

Air inlet

- Mounted air filter

Fuel system

- Mechanically governed cassette type fuel injection pump
- Split element fuel filter

Lubrication system

- Wet steel sump with filler and dipstick
- Spin-on full-flow lub oil filter

Cooling system

- Thermostatically-controlled system with belt driven coolant pump and pusher fan
- Mounted radiator, piping and guards

Electrical equipment

- 12 volt starter motor and 12 volt 15 amp alternator with DC output
- Oil pressure and coolant temperature switches
- 12 volt shut-off solenoid energised to run
- Glow plug cold start aid and heater/starter switch

Flywheel and housing

- 1500 rpm
- High inertia flywheel to SAE J620 Size 190.5 mm (7½ in) Heavy
- Flywheel housing SAE 4 Long

Mountings

- Front and rear engine mounting bracket

Fuel Consumption		
Engine Speed	1500 rpm	
	g/kWh	l/hr
Standby	244	6.1
Prime power	237	5.3
75% of prime power	238	4.0
50% of prime power	258	2.9

General Data

Number of cylinders	4
Cylinder arrangement	Vertical in-line
Cycle	4 stroke
Aspiration	Naturally aspirated
Combustion system	Indirect injection
Compression ratio	23.3:1
Bore and Stroke	84 x 100 mm (3.3 x 3.9 in)
Displacement	2.216 litres (135.2 cubic in)
Direction of rotation	Anti-clockwise viewed on flywheel
Cooling system	Water cooled
Total coolant capacity	7.0 litres (1.8 US gals)
Total lubrication system capacity	10.6 litres (2.8 US gals)
Dimensions	
Length	946 mm (37.2 in)
Width	497 mm (19.6 in)
Height	840 mm (33.0 in)
Total weight (dry)	242 kg (533 lb)

Final weight and dimensions will depend on completed specification.

Optional equipment

- Parts book

Option groups

A selection of optional items is available to enable you to prepare a specification precisely matched to your needs.

Photographs are for illustrative purposes only and may not reflect final specification.

All information in this document is substantially correct at time of printing and may be altered subsequently.
Publication No.PN2002/06/12 Produced in England ©2012 Perkins Engines Company Limited

Perkins Engines Company Limited

Peterborough PE1 5FQ
United Kingdom
Telephone +44 (0)1733 583000
Fax +44 (0)1733 582240
www.perkins.com



THE HEART OF EVERY GREAT MACHINE