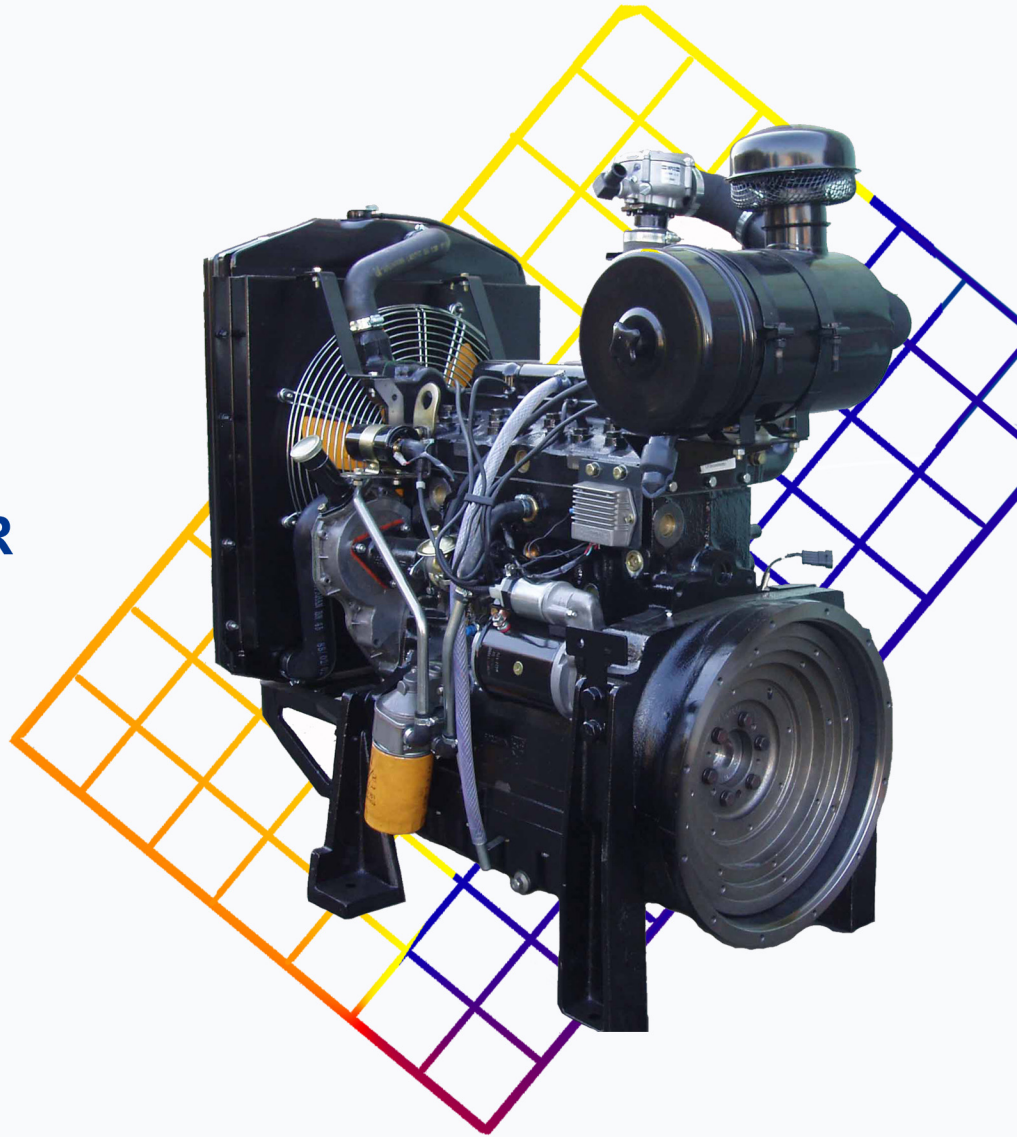




**G4.248 NG**

**Natural Gas**

**GENSET POWER**



**Performance**

Engine speed rev/min	Type of operation	Typical generator output(net) kVA	Engine Power	
			kW	bhp
1500	Prime power	38.9	34.6	46.3
	Standby power	43	38.5	51.5



Motorsazan company is certified by TUV NORD for conformity with ISO /TS/16949, ISO 9001, ISO18001, ISO 14001 standards

All ratings based on operating under atmospheric pressure and 20 °C ambient temperature using typical fan sizes and drive ratios.

Performance tolerance quoted by Motorsazan is ±5%.

Electrical ratings assume a power factor of 0.8 and a generator efficiency of 90%.

**Fuel specification:** Natural Gas

**Rating Definitions:**

**Prime power:** Power available at variable load in lieu of main power network. An overload of 10% is permitted for one hour in every twelve hours of operation.

**Standby power:** Power available at variable load in the event of a main power network failure. No overload is permitted.

## Standard specifications

### Air filter:

Mounted air filter

### Fuel system:

Single diaphragm air gas valve carburetor/mixer  
Electrical governing-controlled by ECU

### Lubricating system:

Gray cast iron oil-sump with filler and dipstick  
Spin-on full-flow oil filter

### Cooling system:

Belt driven circulating pump  
17" belt driven fan  
Mounted radiator and pipework

### Electrical equipment:

12 volt starter motor  
12 volt 55 Amp alternator with DC output  
Switch for oil pressure  
12 volt 4 Amp ECU & throttle

### Flywheel and Housing:

High inertia flywheel to SAE J620 size 10/11<sup>1</sup>/<sub>2</sub>  
Cast iron SAE3 flywheel housing

### Mountings:

Front mounting brackets

### Optional equipment:

Coolant temperature gauge  
Lubrication oil pressure gauge and sender  
Flywheel and coupling suitable for double bearing alternators  
Rear mounting brackets

Gas consumption m <sup>3</sup> / hour at 0.25 Psi	
Power rating	1500 rev/min
Standby power	11
Prime power	10.4
75% of prime power	7.8
50% of prime power	5.2
25% of prime power	2.6

## Basic technical data

**Number of cylinder:** 4

**Cylinder arrangement:** Vertical, in line

**Cycle:** 4 stroke

**Induction system:** naturally aspirated

**Cubic capacity:** 4.06 litres (248 cu-in)

**Bore:** 101 mm (3.975 in)

**Stroke:** 127 mm (5 in)

**Compression ratio:** 12:1

**Direction of rotation:** Clockwise viewed from front

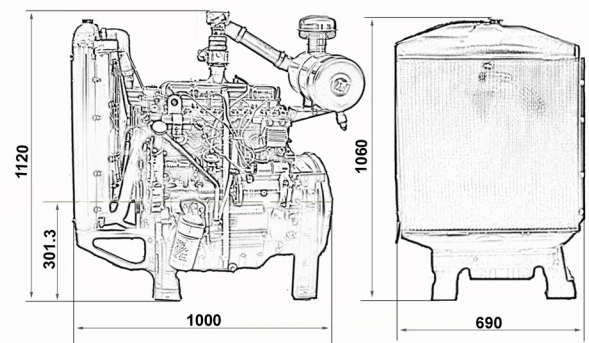
**Firing order:** 1,3,4,2

**Total lubrication system capacity:** 7.5 litres

**Coolant capacity (including radiator):** 16 liters

**Engine total weight (dry):** 424 kg

**Engine total weight (wet):** 447 kg



All dimensions are in mm

Factory address: P.O.BOX 51845-337 Tabriz-Iran

Tel: +98(411) 4248000

Fax: +98(411) 4245945-46

Website: [www.motorsazan.ir](http://www.motorsazan.ir)

Email: [mail@motorsazan.ir](mailto:mail@motorsazan.ir)

• The illustrations may include some optional equipments.

• Motorsazan reserves the right to modify product specification without prior notice.